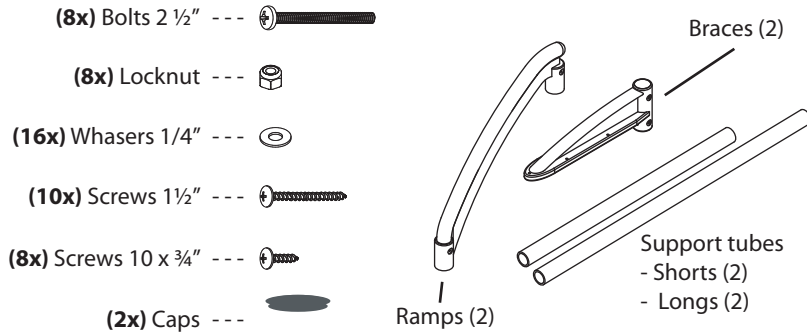




Swimming Pool Stairs - instructions

MATERIAL INCLUDED



Required tools :

- Automatic screwdriver
- Pair of grip or wrench 7/16

Not include:

- Shim
- Pea gravel

Note : You will need approximately 50 lbs. of pea gravel

***** Caution : File off all stripped or sharp edges before assembly to avoid injuries and pool damage. To ease the installation of rails and bolts, use a screwdriver to line up the holes.**

STEP 1

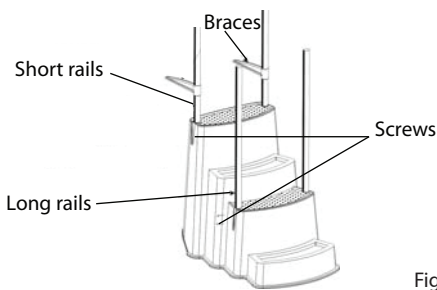


Fig. 1

1. Place the rails on the sides of the step (short rails on top) and align with the predrilled holes. Attach using the 2½" (8) bolts, washers and nuts. Do not tighten the bolts at this time. Slide the braces over the short rails (fig. 1).

2. Insert the diagonal rails onto the long and short rails. From the outside of the step, attach using the 10 x ¾" (4) screws (fig. 2). Tighten the bolts on the step (as shown in figure 1).

3. Fill the two ballasts with sand* (approx. 40 lb each) until they are completely filled (fig. 3). Place one of the ballast on the bottom step only for now.

4. Place the step against the pool wall, but leave at least one (1) inch between the step and the wall. Ensure that the step touches the ground solidly. Lower the braces until they rest on the deck (fig. 4).

5. Attach the braces to the deck using the 1½" (10) screws. If the deck is above the top rail, attach the braces directly to the deck (fig. 5).

6. If the deck is lower than the pool, the braces should be shimmed* to attain the same level as the pool (fig. 6). Ensure the shim is properly secured to the deck.

STEP 2

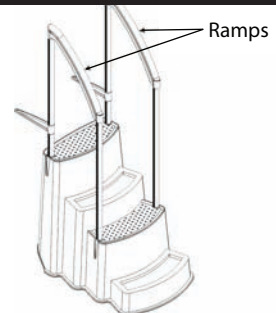


Fig. 2

STEP 4

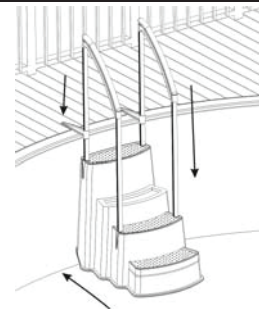


Fig. 4

STEP 3

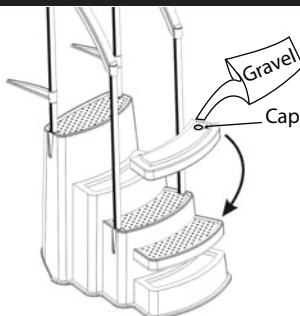
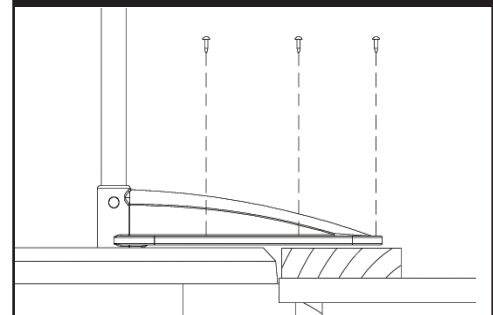


Fig. 3

STEP 6



STEP 5

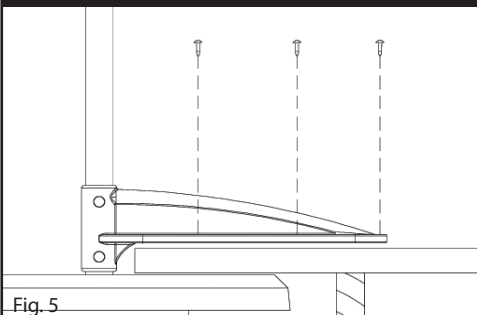
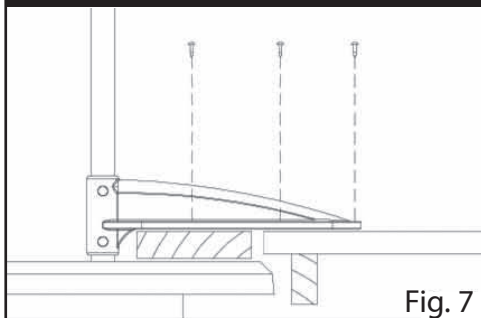


Fig. 5



Low Cost Walk In Steps

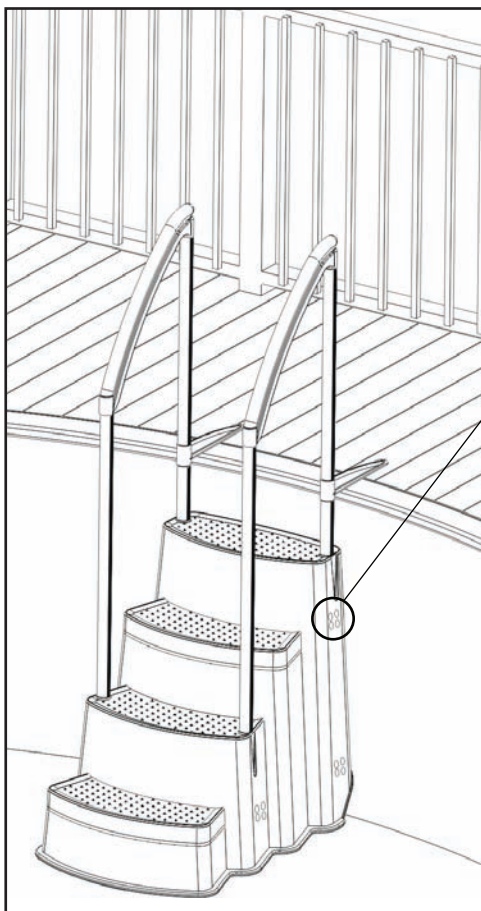
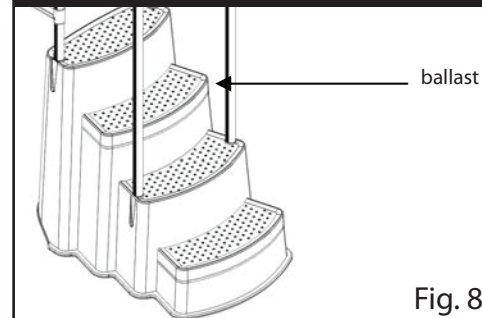
STEP 7



7. If the pool is lower than the deck, the braces should be shimmed* to attain the same level as the deck (fig. 7). Ensure the shim is properly secured to the top rail.

8. Place the second ballast on the top step.

STEP 8



REMEMBER - Nothing replaces parental supervision. Watch children at all times.

Step Maintenance

1 - When adding water in your pool, insert the nozzle of your hose in the side holes of the step to allow a good water circulation throughout the season.

2 - When treating your water do not forget to treat the water inside your step.

CAUTION

- :: Install the step on a solid base and flat base.
- :: Do not jump or dive from the step.
- :: The step should be removed from the water when temperature drop below freezing.
- :: Never lift the step by its rail.
- :: Use battery-operated tools to avoid electric shock near water
- :: Ensure no corrosive materials are added to the step or hardware kit
- :: The step shall be installed per manufacturer's instructions.
- :: File off all stripped or sharp edges of hardware to avoid injury.
- :: The manufacturer is not responsible for damage or injuries caused by improper installation or use.
- :: For more protection, we suggest to install a step pad* under the step.

This model require a maximum inclination of the bottom of the swimming pool of approximately 2 degrees.

* **Not included with the step**