



Luxury Swimming Pool Kits & Equipment at Budget Prices



Jandy / Laars LX heaters  
**Pool Gas Heaters**



LX/LT  
Heaters

## *Powerful, Efficient and Automation-Ready*

Our exclusive digital controls provide more precision and less hassle. And inside the incredibly reliable LX/LT heaters, you'll find plenty of features to warm up to:

- Automatic pool-to-spa switching
- Fan-assisted controlled combustion for consistent efficiency—up to 83%
- Corrosion resistant polymer headers for long term reliability
- Meets all air quality standards (Low NOx)
- Contemporary design blends into any backyard landscape

### THE LX: USER-FRIENDLY INTERFACE

---



The LX is the only heater available that communicates directly with the Jandy AquaLink® RS control system. The LCD displays actual and set point temperatures.

### THE LT: SIMPLIFIED DUAL ELECTRONIC THERMOSTAT

---



Dual set points provide convenient pool and spa temperature settings. LED indicators give easy to understand diagnostic information.

# The First Pool and Spa Heater So Advanced It's Simple

## LX/LT Heaters



### The LX Control

and user friendly interface are key elements in your Aqualink® RS controlled pool/spa environment. The LT model has a simplified dual electronic thermostat. Both the LX and LT models include automation-ready features to provide convenient pool-to-spa switching.



### LX/LT PERFORMANCE CHARTS

The Pool Sizing Guide below shows the maximum pool surface area LX/LT models 250 and 400 will heat based on the Temperature Difference\* between the air temperature during the coldest month the pool is used and the desired pool temperature. Figures are based on average wind conditions and average pool depth.

#### POOL SIZING GUIDE

Model	250		400	
	*Temperature Difference			
Maximum Area Heated (width x length)				
	0 Wind	3 1/2 MPH	0 Wind	3 1/2 MPH
15°F	1750	1300	2800	2100
20°F	1300	1000	2100	1600
25°F	1050	800	1700	1280
30°F	850	650	1400	1050
35°F	750	570	1200	900

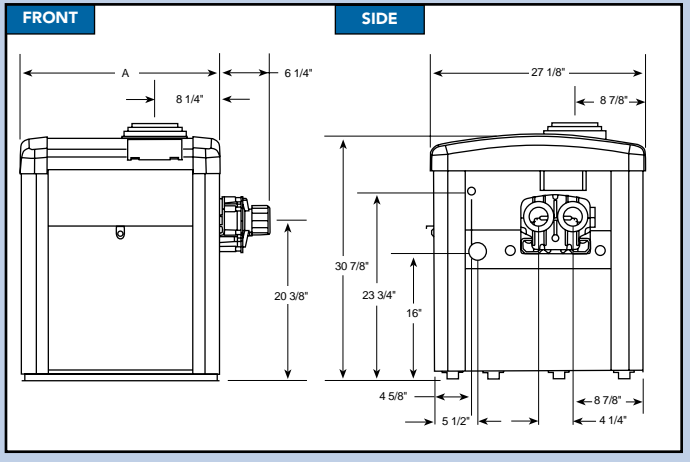
The Spa Sizing Guide below details the time required for each model to raise spa temperature by 30°F.

#### SPA SIZING GUIDE

Model	250	400
Spa Size	Time Required To Raise Temp 30°	
200 Gallons	15 Minutes	10 Minutes
400 Gallons	30 Minutes	20 Minutes
600 Gallons	45 Minutes	30 Minutes
800 Gallons	60 Minutes	40 Minutes
1000 Gallons	75 Minutes	50 Minutes

### Specifications:

Model	"A" Width	Height	Depth	VENT	Shipping Weight	Heater Weight
250	28 1/4"	30 7/8"	27 1/8"	7.0"	237 lbs.	170 lbs.
400	34 1/4"	30 7/8"	27 1/8"	9.0"	308 lbs.	236 lbs.



*See you Jandy Sales Representative  
for more information!*



Pumps • Filters • Heaters • Air Energy Heat Pumps  
Controls • Lights • Water Purification Systems • Valves  
Water Features • Cleaners • Accessories

